

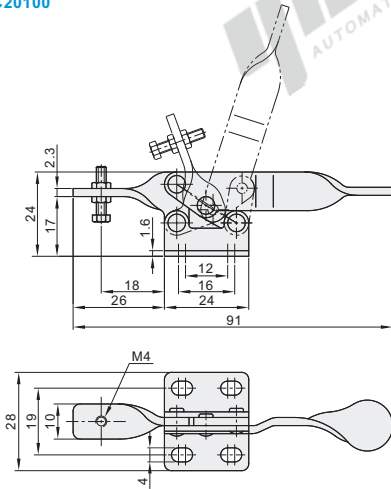
# Toggle Clamps

## ◀ Flange Base Horizontal Hold-Down

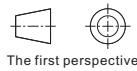
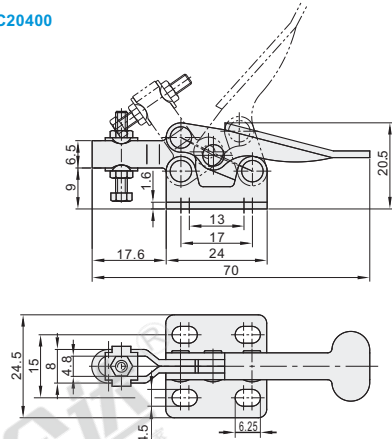
Code	WDC20100	WDC20400
Mounting Bracket	Flange Base	Flange Base
Arm	Solid Bar	U-BAR
Body Material	SS400	SS400
Surface Treatment	Zinc-Plated	Zinc-Plated
Tightening Force(kg)	20	20
Arm Open-Close Angle	75°	55°
Handle Open-Close Angle	75°	60°
Weight(g)	35	25.5
Accessories(Bolt)	WDP-042507	WDP-042507



WDC20100



WDC20400



Code  
WDC20400

Discount price  
Per 1~9 10~  
Price 100% Additional quotation

Delivery  
10