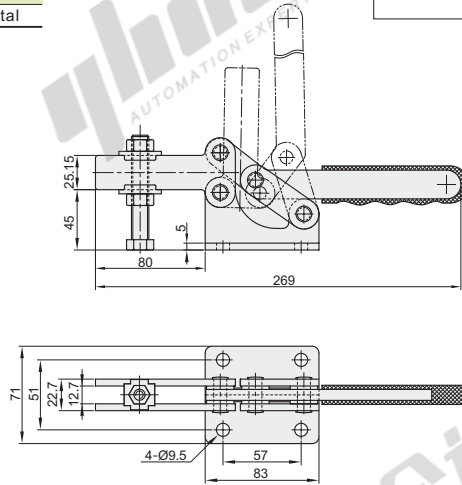


Code	WDC204-GB
Mounting Bracket	Flange Base
Arm	Open-Bar,Low Base
Body Material	SS400
Surface Treatment	Zinc-Plated
Tightening Force(kg)	630
Arm Open-Close Angle	90°
Handle Open-Close Angle	94°
Weight(g)	1180
Accessories(Bolt)	(12300)Metal



WDC204-GB



Code
WDC204-GB



Discount price
Per 1~9 10~
Price 100% Additional quotation



Delivery
10