

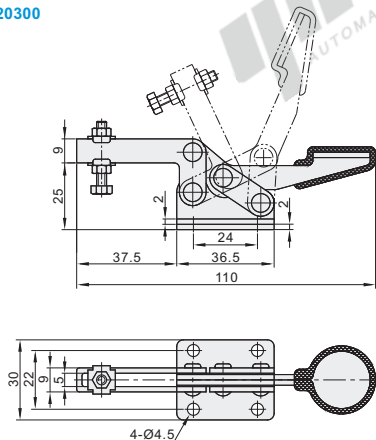
Toggle Clamps

◀ Flange Base Horizontal Hold-Down

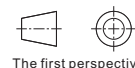
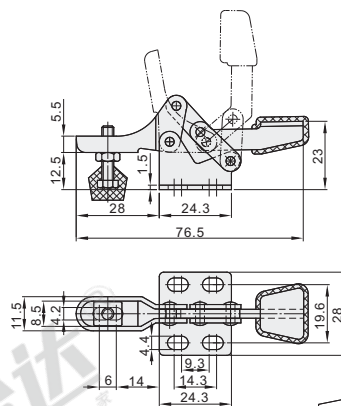
Code	WDC20300	WDC20800
Mounting Bracket	Flange Base	Flange Base
Arm	U-BAR	U-BAR
Body Material	SS400	SS400
Surface Treatment	Zinc-Plated	Zinc-Plated
Tightening Force(kg)	30	30
Arm Open-Close Angle	65°	80°
Handle Open-Close Angle	55°	88°
Weight(g)	100	40
Accessories(Bolt)	WDP-044007	WDM-042507



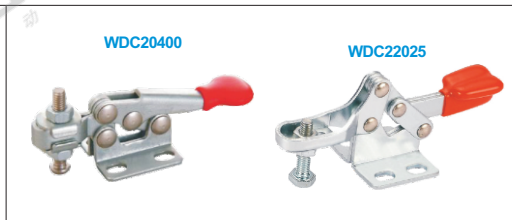
WDC20300



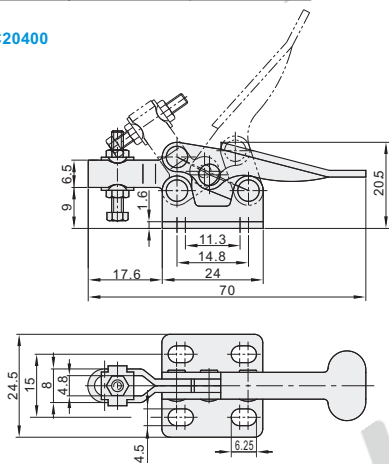
WDC20800



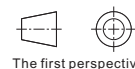
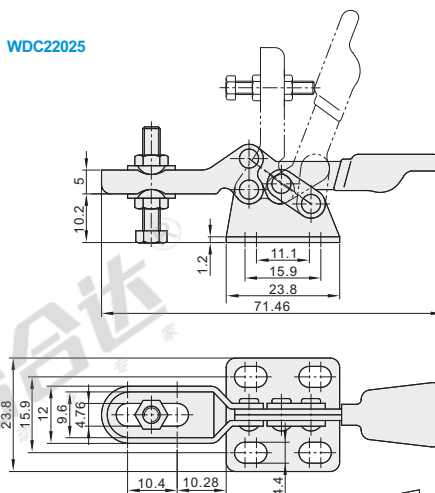
Code	WDC20400	WDC22025
Mounting Bracket	Flange Base	Flange Base
Arm	U-BAR	Low U-BAR
Body Material	SS400	SS400
Surface Treatment	Zinc-Plated	Zinc-Plated
Tightening Force(kg)	20	22.7
Arm Open-Close Angle	55°	90°
Handle Open-Close Angle	60°	60°
Weight(g)	25.5	25
Accessories(Bolt)	WDP-042507	WDQ-08034



WDC20400



WDC22025



Code
WDC20300
WDC20400



Discount price
Per 1~9 10~
Price 100% Additional quotation



Delivery
10