

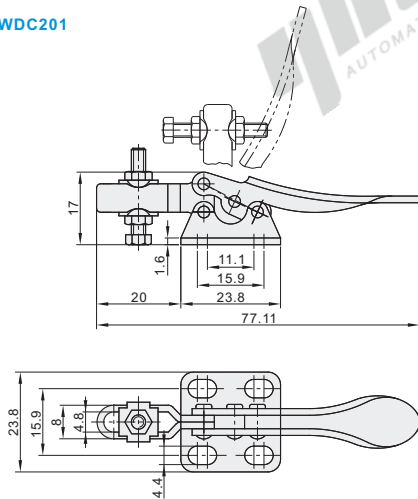
Toggle Clamps

◀ Flange Base Horizontal Hold-Down

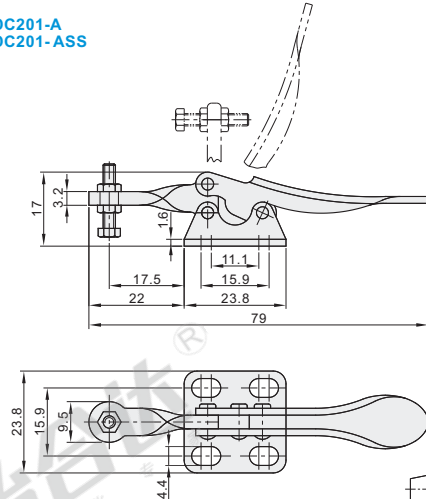
Code	WDC201	WDC201-A	WDC201-ASS
Mounting Bracket	Flange Base	Flange Base	Flange Base
Arm	U-BAR	Solid Bar	Solid Bar
Body Material	SS400	SS400	SUS304
Surface Treatment	Zinc-Plated	Zinc-Plated	—
Tightening Force(kg)	27	27	27
Arm Open-Close Angle	90°	90°	90°
Handle Open-Close Angle	80°	80°	80°
Weight(g)	35	30	30
Accessories(Bolt)	08034(Nylon)	(08034)Nylon	(08034)Stainless Steel



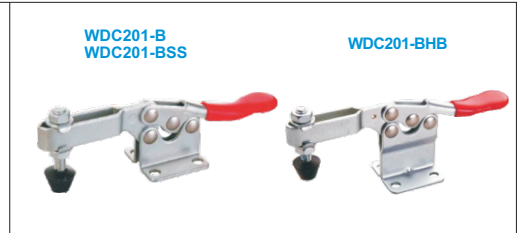
WDC201



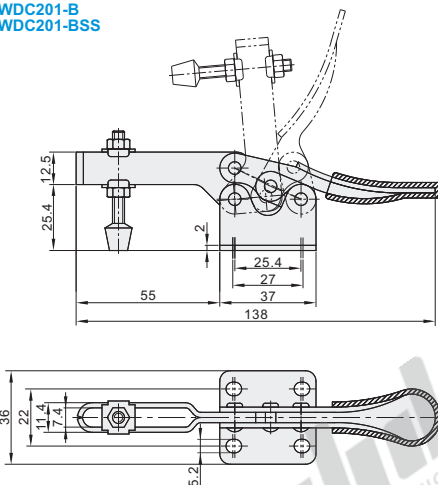
WDC201-A
WDC201-ASS



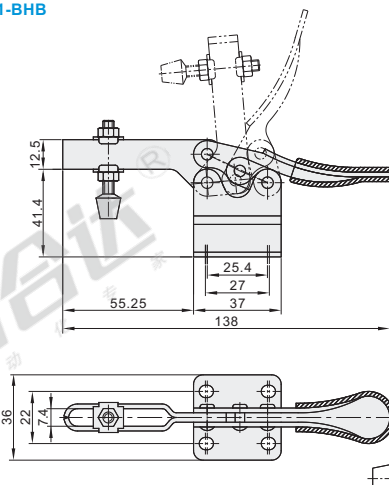
Code	WDC201-B	WDC201-BSS	WDC201-BHB
Mounting Bracket	Flange Base	Flange Base	Flange Base
Arm	U-BAR	U-BAR	High U-BAR
Body Material	SS400	SUS304	SS400
Surface Treatment	Zinc-Plated	—	Zinc-Plated
Tightening Force(kg)	90	90	90
Arm Open-Close Angle	85°	85°	85°
Handle Open-Close Angle	60°	60°	60°
Weight(g)	130	130	146
Accessories(Bolt)	WDN-14134	14134(Stainless Steel)	WDN-14134



WDC201-B
WDC201-BSS



WDC201-BHB



Code
WDC201
WDC201-B



Discount price
Per 1~9 10~
Price 100% Additional quotation



Delivery
10