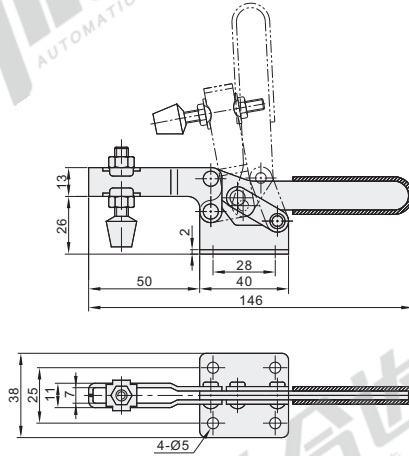


Code	WDC201-C
Mounting Bracket	Flange Base
Arm	U-BAR
Body Material	SS400
Surface Treatment	Zinc-Plated
Tightening Force(kg)	100
Arm Open-Close Angle	79°
Handle Open-Close Angle	87°
Weight(g)	140
Accessories(Bolt)	WDN-14134



Code
WDC201-C



Discount price
Per 1~9 10~
Price 100% Additional quotation



Delivery
10