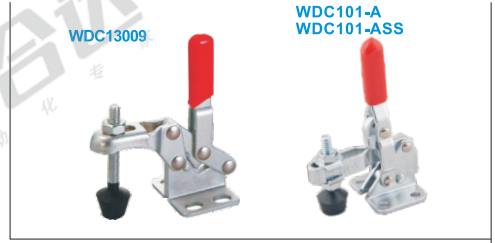


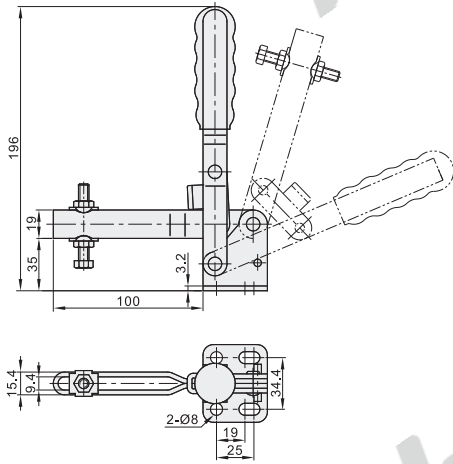
Toggle Clamps

- ◀ Side Mount Base
- ◀ Flange Base
- ◀ Vertical Hold-Down

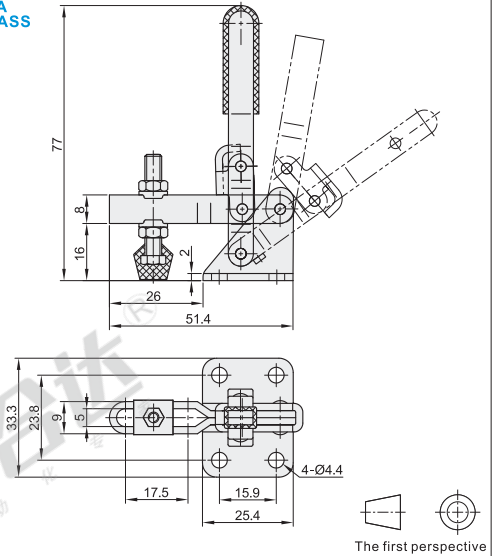
Code	WDC13009	WDC101-A	WDC101-ASS
Mounting Bracket	Flange Base	Flange Base	Flange Base
Arm	U-BAR	U-BAR	U-BAR
Body Material	SS400	SS400	SUS304
Surface Treatment	Zinc-Plated	Zinc-Plated	—
Tightening Force(kg)	30	50	50
Arm Open-Close Angle	80°	100°	100°
Handle Open-Close Angle	88°	56°	56°
Weight(g)	40	60	60
Accessories(Bolt)	WDM-044207	WDN-10138	10138(Stainless Steel)



WDC13002-B



WDC101-A
WDC101-ASS



Code
WDC13009

Discount price
Per 1~9 10~
Price 100% Additional quotation

Delivery
6

