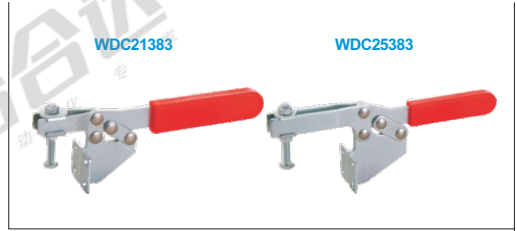
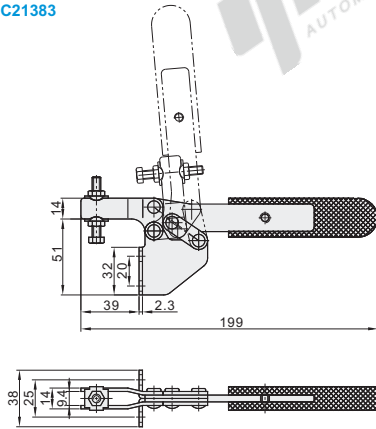


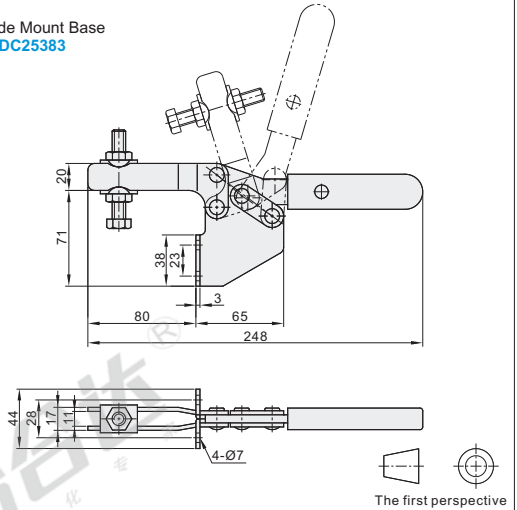
Code	WDC21383	WDC25383
Mounting Bracket	Side Mount Base	Side Mount Base
Arm	Short Open-BAR	Long Open-BAR
Body Material	SS400	SS400
Surface Treatment	Zinc-Plated	Zinc-Plated
Tightening Force(kg)	250	280
Arm Open-Close Angle	72°	80°
Handle Open-Close Angle	72°	80°
Weight(g)	210	435
Accessories(Bolt)	WDP-065010	WDP-086512



Side Mount Base
WDC21383



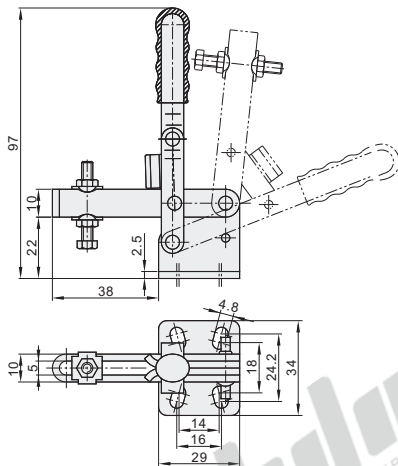
Side Mount Base
WDC25383



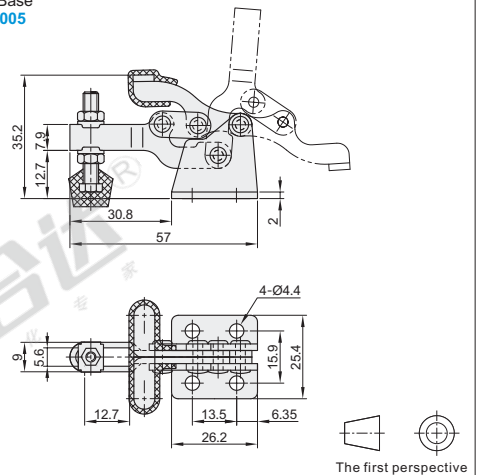
Code	WDC11002-B	WDC13005
Mounting Bracket	Flange Base	Flange Base
Arm	U-BAR	U-BAR
Body Material	SS400	SS400
Surface Treatment	Zinc-Plated	Zinc-Plated
Tightening Force(kg)	75	68
Arm Open-Close Angle	96°	90°
Handle Open-Close Angle	69°	170°
Weight(g)	128	60
Accessories(Bolt)	WDP-054008	WDN-10138



Flange Base
WDC11002-B



Flange Base
WDC13005



Code
WDC21383



Discount price
Per 1~9 10~
Price 100% Additional quotation



Delivery
10