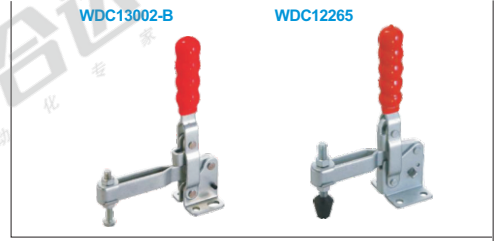


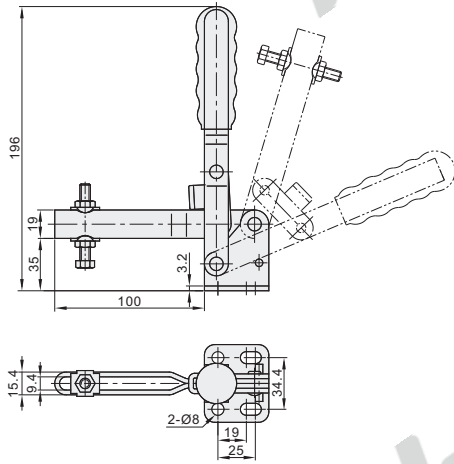
Toggle Clamps

◀ Flange Base Vertical Hold-Down

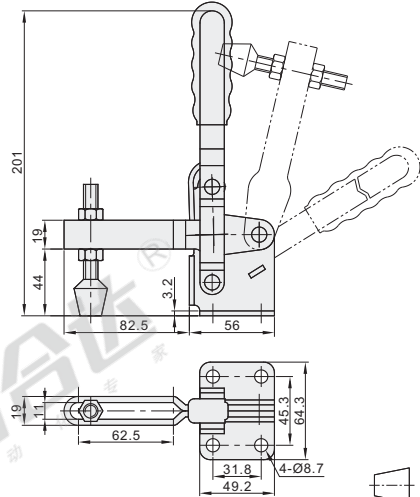
Code	WDC13002-B	WDC12265
Mounting Bracket	Flange Base	Flange Base
Arm	U-BAR	U-BAR
Body Material	SS400	SS400
Surface Treatment	Zinc-Plated	Zinc-Plated
Tightening Force(kg)	250	340
Arm Open-Close Angle	106°	105°
Handle Open-Close Angle	67°	58°
Weight(g)	380	635
Accessories(Bolt)	WDP-086512	WDN-38312



WDC13002-B



WDC12265



The first perspective



Please order as shown

Code
WDC13002-B



Discount price
Per 1~9 10~
Price 100% Additional quotation



Delivery
10