

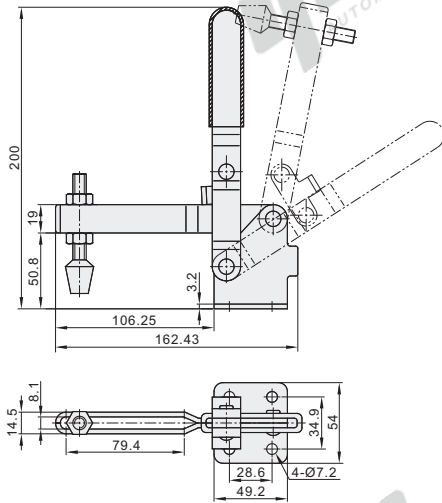
# Toggle Clamps

## ◀ Flange Base Vertical Hold-Down

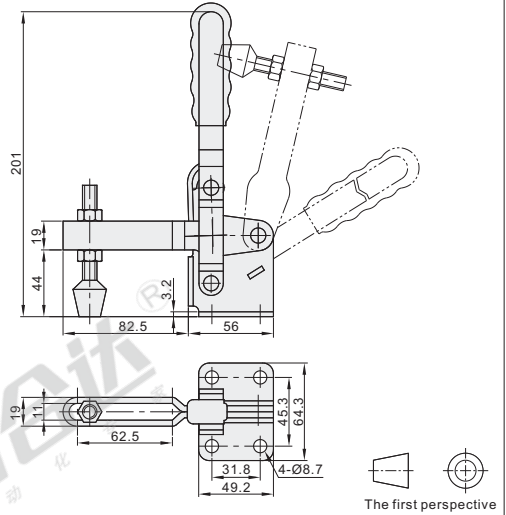
Code	WDC12205	WDC12265
Mounting Bracket	Flange Base	Flange Base
Arm	U-BAR	U-BAR
Body Material	SS400	SS400
Surface Treatment	Zinc-Plated	Zinc-Plated
Tightening Force(kg)	182	340
Arm Open-Close Angle	101°	105°
Handle Open-Close Angle	57°	58°
Weight(g)	620	635
Accessories(Bolt)	WDN-56212	WDN-38312



WDC12205

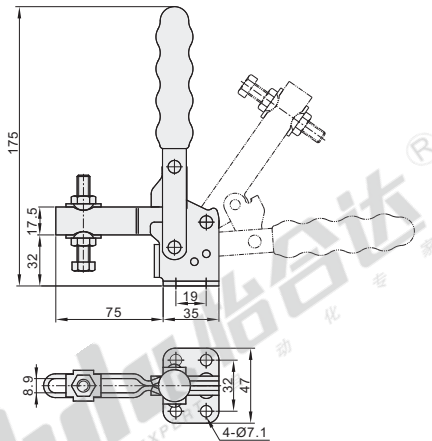


WDC12265



The first perspective

Code	WDC12502-B
Mounting Bracket	Flange Base
Arm	U-BAR
Body Material	SS400
Surface Treatment	Zinc-Plated
Tightening Force(kg)	250
Arm Open-Close Angle	90°~150°
Handle Open-Close Angle	70°~100°
Weight(g)	380
Accessories(Bolt)	WDP-085012



The first perspective



Code  
WDC12502-B



Discount price  
Per 1~9 10~  
Price 100% Additional quotation



Delivery  
10