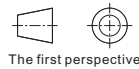
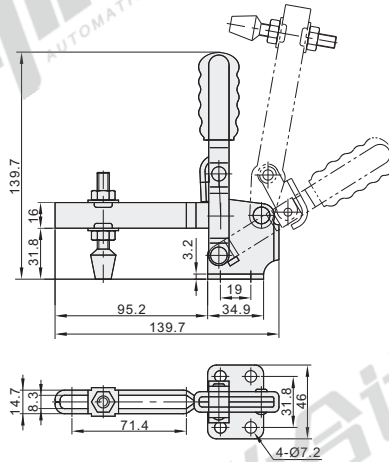


Code	<b>WDC12132</b>
Mounting Bracket	Flange Base
Arm	Long U-BAR
Body Material	SS400
Surface Treatment	Zinc-Plated
Tightening Force(kg)	227
Arm Open-Close Angle	100°
Handle Open-Close Angle	60°
Weight(g)	370
Accessories(Bolt)	WDN-56212

WDC12132



WDC12132

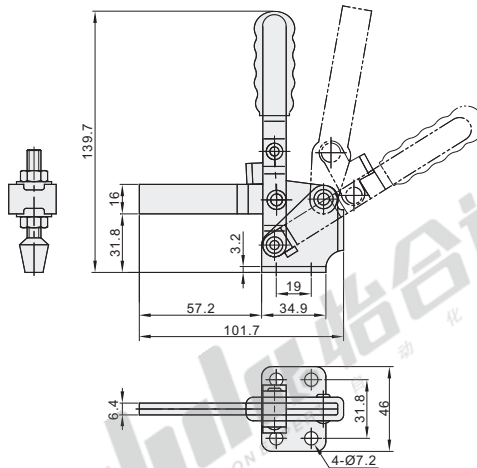


Code	<b>WDC12140</b>
Mounting Bracket	Flange Base
Arm	(Short)Solid BAR
Body Material	SS400
Surface Treatment	Zinc-Plated
Tightening Force(kg)	227
Arm Open-Close Angle	100°
Handle Open-Close Angle	60°
Weight(g)	340
Accessories(Bolt)	WDN-56212

WDC12140



WDC12140



□ Split type, adjustable pressing head, need welding while using.



Code  
**WDC12140**



● Discount price  
Per 1~9 10~  
Price 100% Additional quotation



Delivery  
**10**