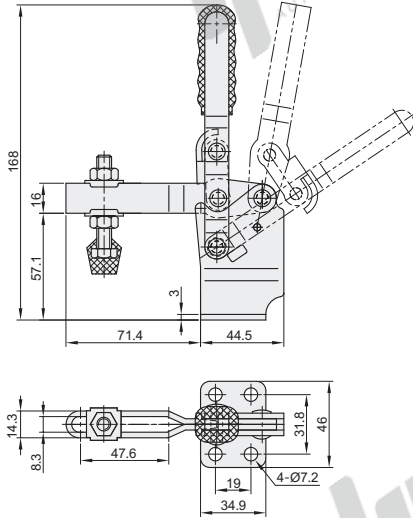


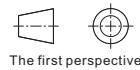
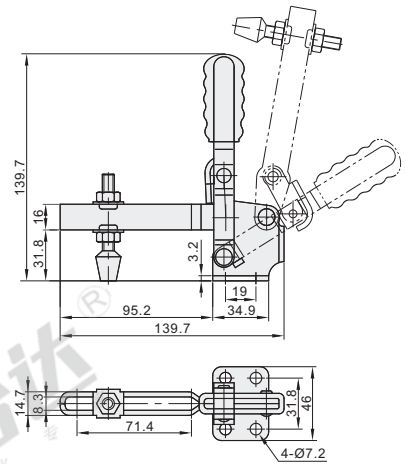
Code	WDC12130-HB	WDC12132
Mounting Bracket	Flange Base	Flange Base
Arm	High U-BAR	Long U-BAR
Body Material	SS400	SS400
Surface Treatment	Zinc-Plated	Zinc-Plated
Tightening Force(kg)	227	227
Arm Open-Close Angle	100°	100°
Handle Open-Close Angle	60°	60°
Weight(g)	401	370
Accessories(Bolt)	WDN-56212	WDN-56212



WDC12130-HB



WDC12132



The first perspective



Code  
WDC12130-HB



Discount price  
Per 1~9 10~  
Price 100% Additional quotation



Delivery  
10