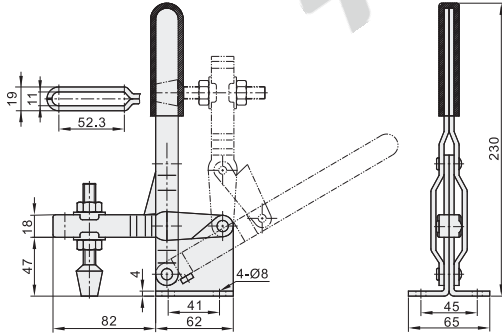


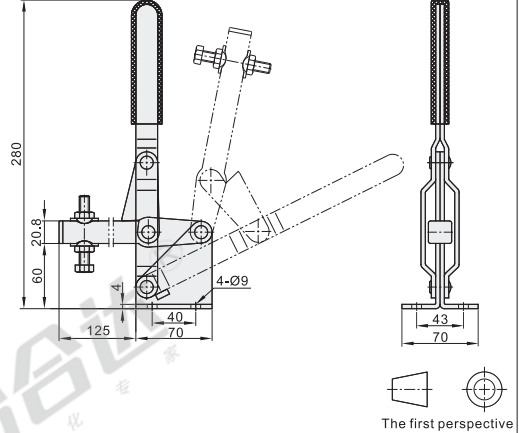
Code	WDC101-EL	WDC101-H
Mounting Bracket	Flange Base	Flange Base
Arm	U-BAR	U-BAR
Body Material	SS400	SS400
Surface Treatment	Zinc-Plated	Zinc-Plated
Tightening Force(kg)	360	450
Arm Open-Close Angle	90°	101°
Handle Open-Close Angle	60°	63°
Weight(g)	838	1220
Accessories(Bolt)	WDN-38312	WDQ-12300



WDC101-EL



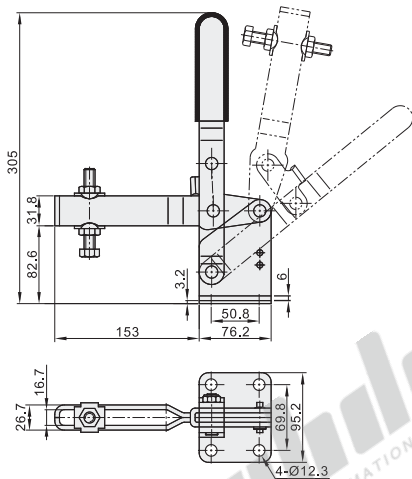
WDC101-H



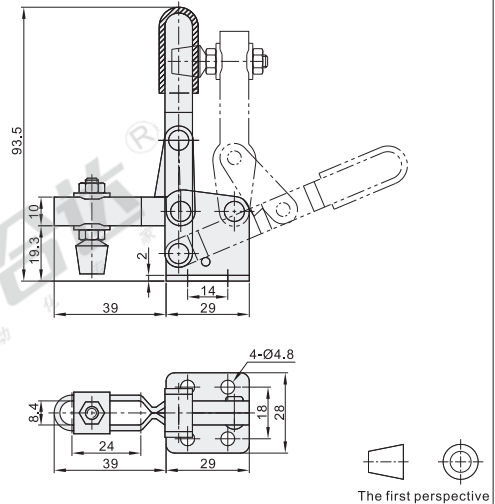
Code	WDC101-J	WDC102-B
Mounting Bracket	Flange Base	Flange Base
Arm	U-BAR	U-BAR
Body Material	SS400	SS400
Surface Treatment	Zinc-Plated	Zinc-Plated
Tightening Force(kg)	550	100
Arm Open-Close Angle	100°~140°	90°
Handle Open-Close Angle	48°~68°	65°
Weight(g)	2540	115
Accessories(Bolt)	WDQ-58500	WDN-14134



WDC101-J



WDC102-B



Pneumatic Clamps
Toggle Clamps



Code
WDC101-J

Discount price
Per 1~9 10~
Price 100% Additional quotation

Delivery
6