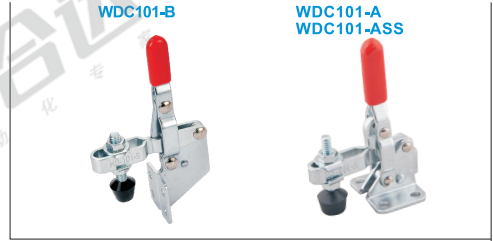


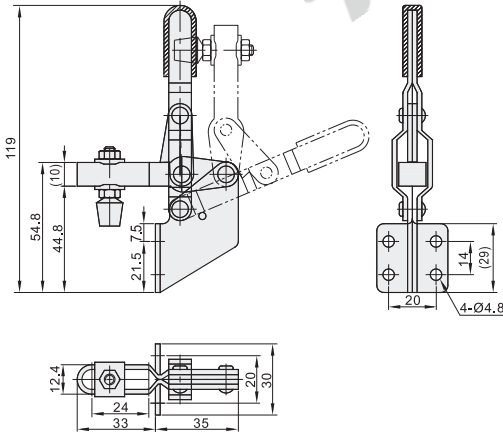
# Toggle Clamps

- Side Mount Base
- Flange Base
- Vertical Hold-Down

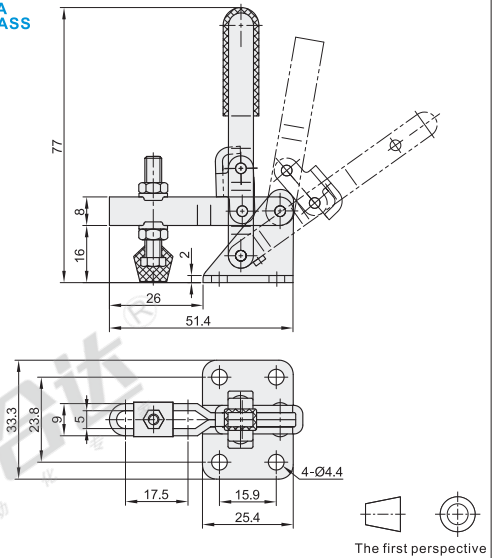
Code	WDC101-B	WDC101-A	WDC101-ASS
Mounting Bracket	Side Mount Base	Flange Base	Flange Base
Arm	U-BAR	U-BAR	U-BAR
Body Material	SS400	SS400	SUS304
Surface Treatment	Zinc-Plated	Zinc-Plated	—
Tightening Force(kg)	100	50	50
Arm Open-Close Angle	90°	100°	100°
Handle Open-Close Angle	65°	56°	56°
Weight(g)	135	60	60
Accessories(Bolt)	WDN-14134	WDN-10138	10138(Stainless Steel)



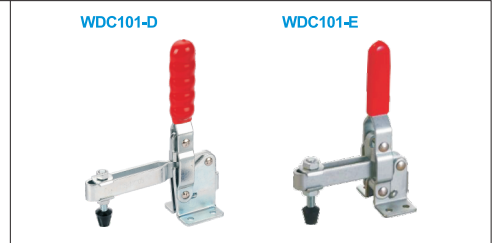
WDC101-B



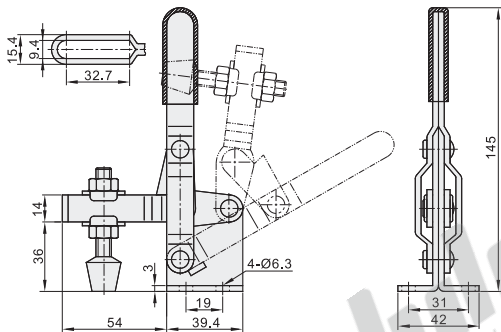
WDC101-A  
WDC101-ASS



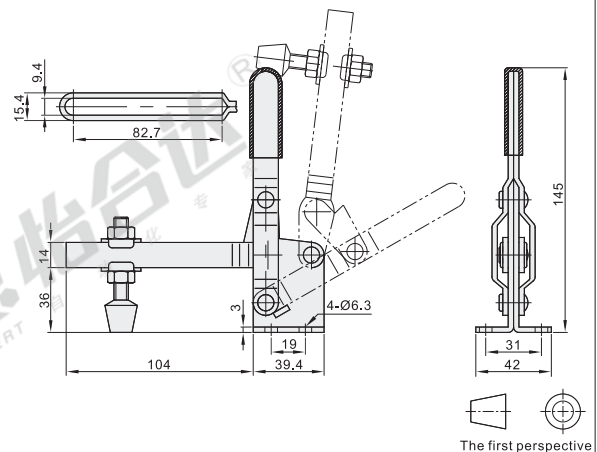
Code	WDC101-D	WDC101-E
Mounting Bracket	Flange Base	Flange Base
Arm	U-BAR	Long U-BAR
Body Material	SS400	SS400
Surface Treatment	Zinc-Plated	Zinc-Plated
Tightening Force(kg)	180	180
Arm Open-Close Angle	100°	100°
Handle Open-Close Angle	60°	60°
Weight(g)	330	360
Accessories(Bolt)	WDN-56212	WDN-56212



WDC101-D



WDC101-E



Pneumatic Clamps  
Toggle Clamps



Code  
WDC101-B

Discount price  
Per 1~9 10~  
Price 100% Additional quotation

Delivery  
6