

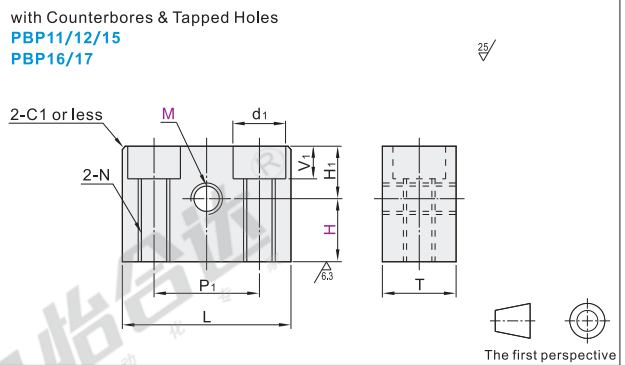
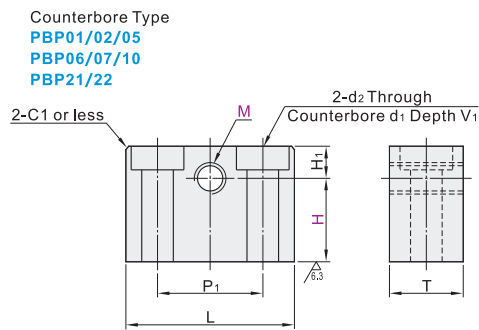
Threaded Stopper Blocks

- Counterbore Type
- with Counterbores & Tapped Holes

Code	Type		Thread	Material		Surface Treatment
				GB	Equiv.	
PBP01	Counterbore Type	H Configurable	Coarse Thread	45	S45C	Black Oxide
PBP02				0Cr18Ni9	SUS304	Electroless Nickel Plating
PBP05			Fine Thread	45	S45C	Black Oxide
PBP06				0Cr18Ni9	SUS304	Electroless Nickel Plating
PBP07				—	—	—
PBP10	H Selectable	Coarse Thread	45	S45C	Black Oxide	
PBP21			0Cr18Ni9	SUS304	Electroless Nickel Plating	
PBP22	with Counterbores & Tapped Holes	H Configurable	Coarse Thread	45	S45C	Black Oxide
PBP11				0Cr18Ni9	SUS304	Electroless Nickel Plating
PBP12			Fine Thread	45	S45C	Black Oxide
PBP15				0Cr18Ni9	SUS304	Electroless Nickel Plating
PBP16				—	—	—
PBP17	—	—	—	—		



Ⓜ If there is requirement of rust prevention, please choose stainless steel materials or electroless nickel-plated products firstly.



Counterbore Type, H Configurable

Part Number Code	M	H 1 mm Increment	H ₁	T	M×Pitch		L	P ₁	d ₁	d ₂	V ₁
					Coarse Thread	Fine Thread					
Coarse Thread PBP01 PBP02 PBP05	3	3~22	3	7	3×0.5	3×0.35	21	13	6	3.5	4
	4	4~22	4	9	4×0.7	4×0.5	30	19	8	4.5	5
	5	5~22	5		5×0.8	5×0.5					
	6	6~22	6	6	8×1.25	8×0.75	40	25	9.5	5.5	6
	8	8~22	7	7	10×1.5	10×1.0					
	12	8~22	8	8	12	12×1.75	12×1.0				

Counterbore Type, H Selectable

Part Number Code	M	H	H ₁	T	M×Pitch	L	P ₁	d ₁	d ₂	V ₁
					Coarse Thread					
Coarse Thread PBP21 PBP22	4	5 6 7	4	7	4×0.7	21	13	6	3.5	3.5
	5	5 6 7 8 10 12			5×0.8	30	19	8	4.5	4.5
	6	5 6 7 8 10 12	6	6	6×1.0					
	8	6 7 8 10 12	6	6	8×1.25	10×1.5	40	25.2	9.5	5.5

with Counterbores & Tapped Holes

Part Number Code	M	H 1 mm Increment	H ₁	T	M×Pitch		L	P ₁	d ₁	V ₁	N
					Coarse Thread	Fine Thread					
Coarse Thread PBP11 PBP12 PBP15	3	5~22	3	10	3×0.5	3×0.35	20	13	6	4	M4
	4		4×0.7		4×0.5	30	19	8	5	M5	
	5	5×0.8	5×0.5								
	6	6×1.0	6×0.75	40	25	9	5.5	M6			
	8	8×1.25	8×0.75								
	12	10×1.5	10×1.0	12	12	12×1.75	12×1.0				

Counterbore Type, H Configurable

Part Number	M	H
PBP01	3	3~22
PBP02	4	4~22
PBP05	5	5~22

PBP02—M5—H7

Counterbore Type, H Selectable

Part Number	M	H
PBP21	4	5 6 7
PBP22	5	5 6 7 8 10
PBP22	6	5 6 7 8 10

PBP22—M6—H7



Discount price
Per 1~10 11~
Price 100% Additional quotation



Delivery
6