

# Shouldered Type Oil-Free Bushings

Standard / Thin Wall  
Copper Alloy



Code	Type		Material	I.D. (Tol.)	O.D. (Tol.)
OFN01	Shouldered	Standard	High Tensile Brass Alloy (SP2)	E7	r6
OFN02	Type	Thin Wall	Solid Lubricant Embedded (Graphite)		

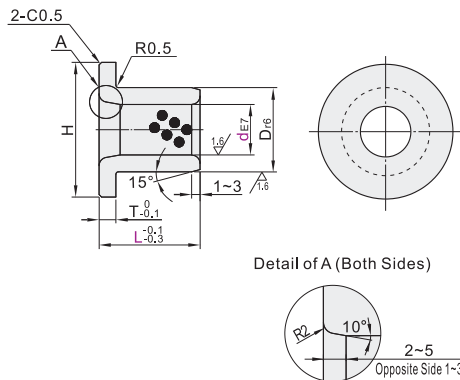
**Features**

- Self-lubricating, maintenance-free, with a stable low friction coefficient under heavy load and low-speed movement.
- Excellent wear-resistance, applicable for linear and rotary movement.
- High and low temperature resistance, strong impact resistance.

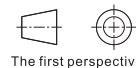
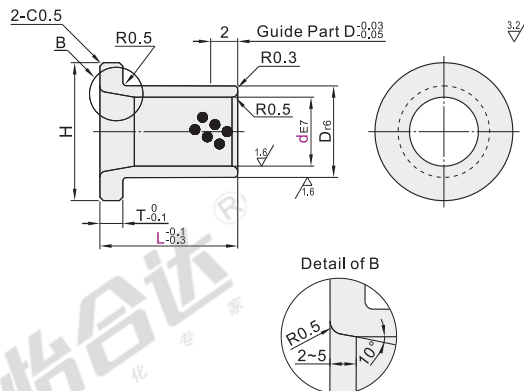
The shaft diameter tolerances that match this product: d8 heavy load, e7 light load, g6 high precision (for reference only).

When the product is pressed into the seat hole, put on a little lubricating oil on the end or inner wall of the seat hole, and use a hydraulic press or vise to slowly press it into the seat hole. Do not hit the product hard to avoid deformation of the product.

Standard  
OFN01



Thin Wall  
OFN02



The first perspective

The Tolerance of housing diameter matching with this product: H7 (for reference only).

**Standard**

Code	Part Number		L						D r6		H	T		
	dE7		10	12	15	20	25	30	35	40	50	60		
OFN01	5	+0.032	10	12	15						9	+0.028	14	
	6	+0.020	10	12	15	20					10	+0.019	16	
	8	+0.040	10	12	15	20	25				12		20	
	10	+0.025	10	12	15	20	25	30	35		14	+0.034	22	
	12		10	12	15	20	25	30	35		18	+0.023	25	
	13		10	12	15	20	25	30	35		19		26	
	15	+0.050	10	12	15	20	25	30	35		21		28	
	16	+0.032		12	15	20	25	30	35	40	50	22	+0.041	29
	18			15	20	25	30	35	40	50	24	+0.028	32	
	20			15	20	25	30	35	40	50	30		40	
	25	+0.061		15	20	25	30	35	40	50	60	35		45
	30	+0.040			20	25	30	35	40	50	60	40	+0.050	50
	35				20	25	30	35	40	50	60	45	+0.034	60
	40	+0.075			20	25	30	35	40	50	60	50		65
50	+0.050				30	35	40	50	60	60	60	+0.060	75	

**Thin Wall**

Code	Part Number		L						D r6		H	T	
	dE7		10	12	15	20	25	30	35	40	50	60	
OFN02	5	+0.032	10	12	15						7		11
	6	+0.020	10	12	15	20					8	+0.028	12
	8	+0.040	10	12	15	20					10	+0.019	14
	10	+0.025	10	12	15	20	25	30			12		16
	12		10	12	15	20	25	30			15		21
	13			12	15	20	25	30			16	+0.034	22
	15	+0.050	10	12	15	20	25	30			18	+0.023	24
	16	+0.032		12	15	20	25	30	40		20		26
	20			15	20	25	30	40	50		24	+0.041	32
	25	+0.061		20	25	30	40	50			29	+0.028	37
	30	+0.040			25	30	40	50			34	+0.050	42
					30	35	40	50	60		60	+0.034	



**Standard**

Part Number	d	L
OFN01	6	10 12

OFN01—d5—L10



Discount price	Per	1~29	30~
Price	100%		Additional quotation



Delivery
8