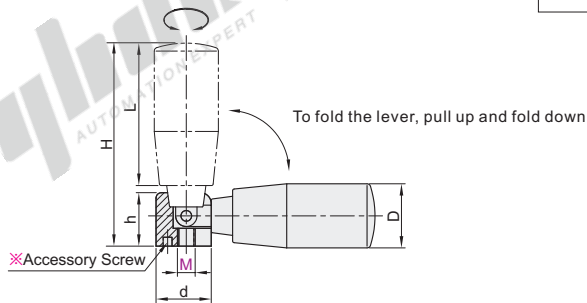


Flat-Foldable Handles

Code	Type	Grip		Base Part	
		Material	Color	Material	Surface Treatment
HAC52	Tapped	PF	Black	Q235	Chrome Plating



The first perspective

Part Number		L	D	d	H	h	Accessory Screw	Reference Weight (kg/pcs)
Code	M							
HAC52	5	40	18	15.5	57	15	M5-L10	0.055
	6	65.3	23	18.5	87	19.5	M6-L10	0.115
	8	80.3	26		102		M8-L14	0.137



Please order as shown

Part Number		
Code	M	L
HAC52	5	40
	6	65.3

HAC52—M5

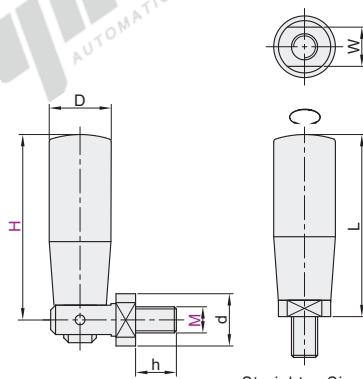


Discount price	
Per	Price
1~9	100%
10~	Additional quotation



Flat-Foldable Handles,with Wrench Flats

Code	Type	Grip		Base Part	
		Material	Color	Material	Surface Treatment
HAC64	with Wrench Flats	PA	Black	S45C	Chrome Plating



The first perspective

- To fold the lever, pull up and fold down.
- Folding angle is 90°.

Part Number		H	L	D	h	d	W	Reference Weight (kg/pcs)
Code	M							
HAC64	8	55	55.5	19	12.5	16	12	0.042
	10	81	80					0.080
	104	104	103.5	22	16	18	14	0.155



Please order as shown

Part Number		
Code	M	H
HAC64	8	55
	10	81
	104	104

HAC64—M8—H81



Discount price	
Per	Price
1~9	100%
10~	Additional quotation

