

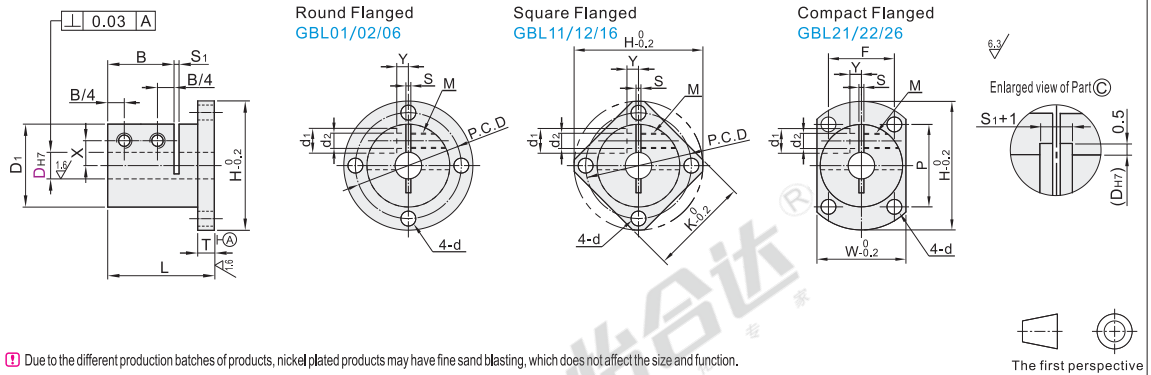
Shaft Supports Flanged Mount with Slit

Long Sleeve, Through Mounting Holes

Code	Type		Material		Surface Treatment	
			GB	Equiv.		
GBL01	Long Sleeve	Through Mounting Holes	Round Flanged	45	S45C	Black Oxide
GBL02				0Cr18Ni9	SUS304	Sandblasted Electroless Nickel Plating
GBL06			Square Flanged	45	S45C	Black Oxide
GBL11				0Cr18Ni9	SUS304	Sandblasted Electroless Nickel Plating
GBL12				45	S45C	Black Oxide
GBL16				0Cr18Ni9	SUS304	Sandblasted Electroless Nickel Plating
GBL21	Compact Flanged	45	S45C	Black Oxide		
GBL22		0Cr18Ni9	SUS304	Sandblasted Electroless Nickel Plating		
GBL26			0Cr18Ni9	SUS304		



- ① Open type, the tolerance H7 of the mounting hole D is the tolerance before the opening is processed. After the opening is processed, due to internal stress release, the tolerance may increase to about H8, which does not affect customer use.
- ② The size of the slot determines whether the open-type guide shaft support is overcut (overcut means the saw blade cuts to the opposite side of the slot). The picture is for reference only.
- ③ After the product is grooved, burrs will occur. In order to eliminate burrs, the inner diameter of some products will be increased by cutting grooves.



④ Due to the different production batches of products, nickel plated products may have fine sand blasting, which does not affect the size and function.

The first perspective

Part Number			L	D ₁	H	T	B	P.C.D	K	W	P	F	d	S	S ₁	X	Y	d ₁	d ₂	M	Accessories Screws		
Code	D _{H7}																						
Round Flanged GBL01 GBL02 GBL06	Square Flanged GBL11 GBL12 GBL16	Compact Flanged GBL21 GBL22 GBL26	12	33	31.8	52	5.8	20	42	40	34	35	25	4.5	1.2~1.8	11	4	9	5.6	M5	M5×12		
			16	45	34.8	56	24	46	44	37	37	27	5.5	12		5							
	GBL01 GBL02 GBL06	GBL11 GBL12 GBL16	GBL21 GBL22 GBL26	20	48	39.8	64	7.8	30	52	50	42	43	30	6.6	1.2~1.8	14	6	12	6.6	M6	M6×20	
				25	57	44.8	69	57		54	47	46	34	17			6						
				30	60	54.8	79	9.8		67	60	57	50	45			20	10					
				35	72	59.8	94	77		71	66	58	50	23			12						
		GBL01 GBL02 GBL06	GBL11 GBL12 GBL16	GBL21 GBL22 GBL26	40	82.5	69.8	104	11.8	44	87	81	76	67	55	9.6	1.2~2.3	26	13	14	9	M8	M8×25
					45	87	74.8	109	13.8		92	85	78	68	58			28	14				
					50	97.5	84.8	119	15.8		102	94	91	82	60			32	16				



Part Number		
Code	D _{H7}	
GBL01	12	+0,018
GBL02	16	+0,018

GBL02—D12



● Discount price
Per 1~9 10~
Price 100% Additional quotation



Delivery
6

