

# Through Mounting Holes

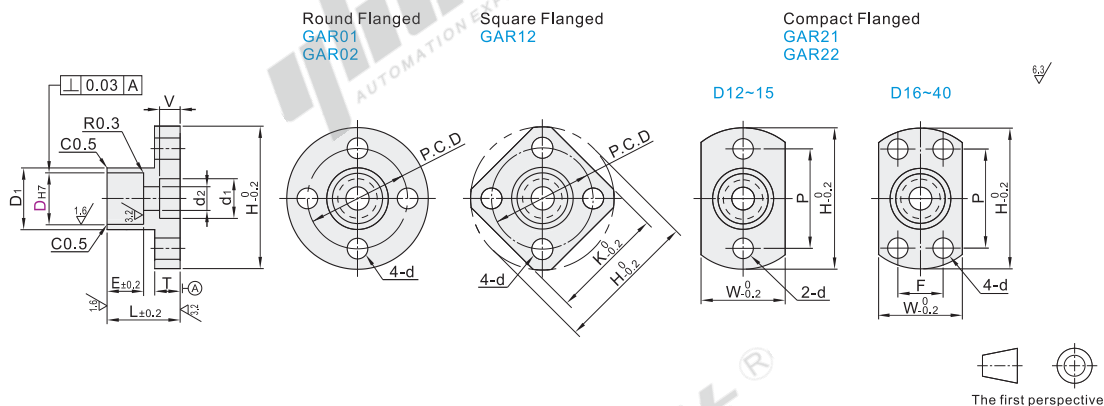
Back Mounted

# Shaft Supports Flanged Mount

Code	Type		Material		Surface Treatment	
			GB	Equiv.		
<b>GAR01</b>	Back Mounted	Through Mounting Holes	Round Flanged		Black Oxide	
<b>GAR02</b>			Square Flanged	45	S45C	Sandblasted Electroless Nickel Plating
<b>GAR12</b>						Sandblasted Electroless Nickel Plating
<b>GAR21</b>			Compact Flanged			Black Oxide
<b>GAR22</b>					Sandblasted Electroless Nickel Plating	



Due to the different production batches of products, nickel plated products may have fine sand blasting, which does not affect the size and function.



Part Number			L	D <sub>1</sub>	H	T	V	E	P.C.D	K	W	P	F	d	d <sub>1</sub>	d <sub>2</sub>	Mounting Screw		
Code	Type	D <sub>H7</sub>																	
Round Flanged <b>GAR01</b> <b>GAR02</b>	Square Flanged <b>GAR12</b>	Compact Flanged <b>GAR21</b> <b>GAR22</b>	12	24	15.8	36		6.5	15	26	29	20	28	—	4.5	11	6.6	M6	
			15	30	19.8	40	6	9	15	30	33	24	30						
			16	32	21.8	42			16	32	34	26	28	16					
			20	38	27.8	50	8	11	18	39	40	32	31	22			18	11	M10
			25	46	32.8	55		13	23	44	45	37	36	24			20	13	M12
			30	58	37.8	66	10	17	28	52	54	42	41	27	6.6		26	17	M16
40	70	53.8	88			40	72	74	62	62	38								



Part Number		
Code	Type	D <sub>H7</sub>
<b>GAR01</b>	12	+0.018 0
<b>GAR02</b>	15	
<b>GAR02—D12</b>		



Discount price	
Per	1~9   10~
Price	100%   Additional quotation



Delivery	
6	

