

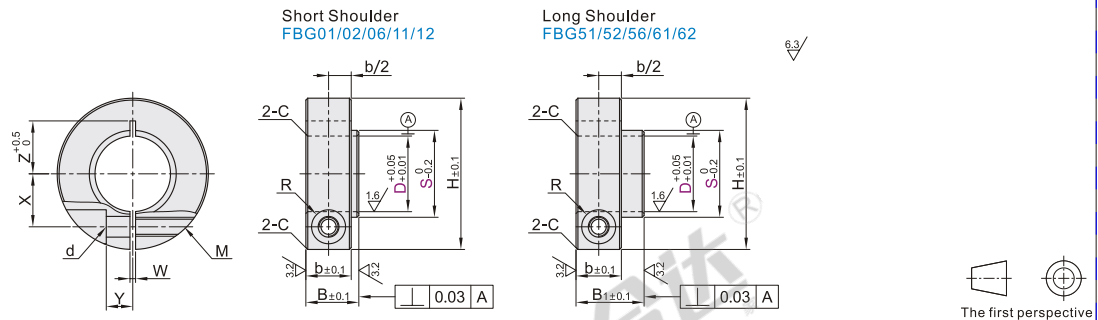
Shaft Collars-For Bearing Fixing

Short / Long Shoulder Slit Type



Code	Type	Material		Surface Treatment	Accessories
		GB	Equiv.		
FBG01	Short Shoulder	45	S45C	Black Oxide	Hex Socket Head Cap Screw 1 pc.
FBG02				Fine Sandblasting Electroless Nickeling	Hex Socket Head Cap Screw 1 pc. (Stainless Steel)
FBG06				—	Hex Socket Head Cap Screw 1 pc. (Stainless Steel)
FBG11	Slit Type	LY11	A2017	Fine sandblasting Natural Color Anodize	Hex Socket Head Cap Screw 1 pc.
FBG12				Black Anodize	Hex Socket Head Cap Screw 1 pc.
FBG51				Black Oxide	Hex Socket Head Cap Screw 1 pc.
FBG52	Long Shoulder	45	S45C	Fine Sandblasting Electroless Nickeling	Hex Socket Head Cap Screw 1 pc.
FBG56				—	Hex Socket Head Cap Screw 1 pc. (Stainless Steel)
FBG61				Fine sandblasting Natural Color Anodizing	Hex Socket Head Cap Screw 1 pc.
FBG62				Black Anodize	Hex Socket Head Cap Screw 1 pc.

- ① If there is requirement of rust prevention, please choose stainless steel materials or electroless nickel-plated products firstly.
- ② Due to the different production batches of products, nickel plated products may have fine sand blasting, which does not affect the size and function.
- ③ Due to different production batches, the fine sandblasted anodized products may not be sandblasted when shipped, which does not affect the size and function. Preventing the customer complaints.
- ④ Due to different production batches, the fine sandblasted electroless nickleled products may not be sandblasted when shipped, which does not affect the size and function.
- ⑤ Due to production process reasons, there will be a threaded fastening hole at the end of the threaded hole of the stainless steel fixing collar body, which does not affect the size and function.



Part Number		S	Applicable Bearing (O.D.)	B	B ₁	H	M	b	d	R	W	X	Y	Z	C			
Code	D																	
Short Shoulder	6	8	636ZZ(22)-686ZZ(13)	9	12	20	M3	8	3.5	3	1.0	6	4	6~6.5				
		9	696ZZ(15)-606ZZ(17)-626ZZ(19)															
		12	636ZZ(22)															
	8	11	673ZZ(15)-688ZZ(16)	25									7		7~9			
		12	698ZZ(19)-608ZZ(88)-628ZZ(24)															
		14	638ZZ(28)															
	10	12	6700ZZ(15)	30										9	5	10		
		13	6800ZZ(19)															
		14	6900ZZ(22)-6000ZZ(26)															
	Long Shoulder	12	16	6200ZZ(30)-6300ZZ(35)	11.5	14		M4	10	4.5	3.75		10					
			14	6701ZZ(18)														
			15	6801ZZ(21)														
15		18	6802ZZ(24)-6902ZZ(28)	34							1.5						0.5	
		19	6002ZZ(32)															
		21	6203ZZ(35)-6302ZZ(42)															
		17	20	6803ZZ(26)	14	17		M5	12	5.5	4.5		11.5	6	12			
			21	6903ZZ(30)-6003ZZ(35)														
			23	6203ZZ(40)-6303ZZ(47)														
		20	24	6704ZZ(27)-6804ZZ(32)	40									14	7	14		
			27	6004ZZ(42)-6204ZZ(47)														
			28	6304ZZ(52)														
	25	31	6005ZZ(47)	45									17	10	17			
		32	6205ZZ(52)															
		33	6305ZZ(62)															
	30	33	6806ZZ(42)	55	21			M6	15	6.6	6	2.0	20		18	1		
		35	6906ZZ(47)															
		38	6006ZZ(55)-6206ZZ(62)-6306ZZ(72)															



Part Number	S
Code D	
FBG01	33
FBG02	35
FBG02—D30—S38	38



Discount price

Per	1~10	11~
Price	100%	Additional quotation



Delivery
6

