

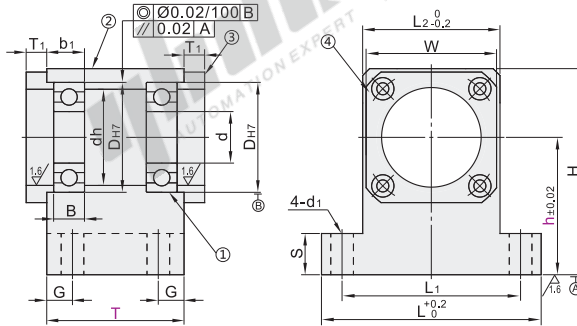
Bearings with Housings

Outer Ring Fixed, T-Shaped



Code	Type	①Bearings		②Main Housing	③Outer Ring Cover	④ Outer Ring Cover Mounting Screws		
		Material	Material	Surface Treatment	Material	Surface Treatment	Material	Surface Treatment
BHR71	Outer Ring Fixed, T-Shaped	SUJ2	S45C	Black Oxide	SCM435	Black Oxide		
BHR72				Fine Sand Blasting Electroless Nickeling	SUS304	—		

- ① Due to the different production batches of products, nickel plated products may have fine sand blasting, which does not affect the size and function.
- ② Bearings Accuracy: GB / T 307.1 Class 0
Equivalent To: JIS B1514 Class 0



Part Number			T	h	d	D _{H7}	B	b ₁	H	dh	L	L ₁	L ₂	S	G	W	d ₁	T ₁		
Code	Bearings No.	Seal																		
BHR71 BHR72	6902		30 50		15	28	^{+0.021} ₀	7	9	h+17.8	25	60	48	36			34			
	6002			25 30 40 50		32	^{+0.025} ₀	9	11	h+19.8	28	64	52	40			38			
	6903		30 40 60			17	30	^{+0.021} ₀	7	9	h+18.8	27	62	50	38	11.8	7.5	36	6.3	6
	6003	ZZ			35			10	12	h+21.8	31	68	56	44			42			
	6904	Double Shielded		40 60		20	37	^{+0.025} ₀	9	11	h+22.8	34	76	61	46			44		
	6004		40 50 80		42			12	14	h+24.8	36	80	65	50	14.8	10	48	9	7	
	6005				30	25				h+27.8	41	86	71	56			54			
	6006		50 60 80	35 40 50 60		55	^{+0.030} ₀	13	15	h+31.8	48	104	84	64	17.8	15	62		8	



Part Number			T	h
Code	Bearing No.	Seal		
BHR71	6002		30	40 60
BHR72	6903	ZZ	25	30 40 50

BHR72 — 6903ZZ — T40 — h40



Discount price		
Per	1~4	5~
Price	100%	Additional quotation



Delivery	
	6

