

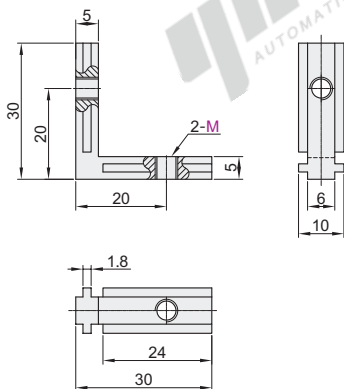
**■ Casting angle groove connector**

Code	Type	Material	Surface Treatment
ADQ21-206	Casting Angle Groove Connector	Carbon Steel	Galvanized
ADQ31-206		SUS304	—

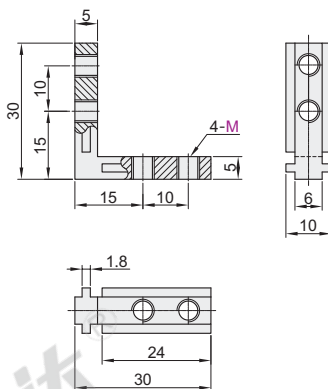
**□** Used for internal connection between extrusions at 90 degrees, convenient.



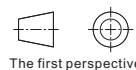
ADQ21-206-M5  
ADQ31-206-M5



ADQ21-206-M5-S  
ADQ31-206-M5-S



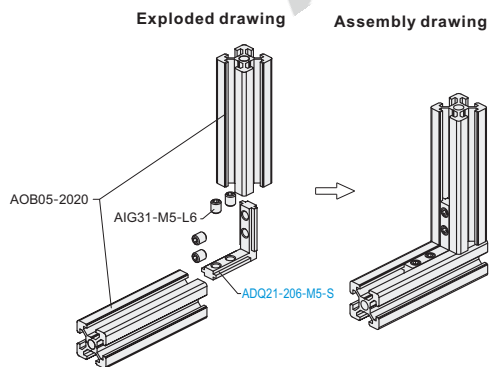
Code	Weight(g/pcs)
ADQ21-206-M5	13.9
ADQ31-206-M5	13.6
ADQ21-206-M5-S	12
ADQ31-206-M5-S	12



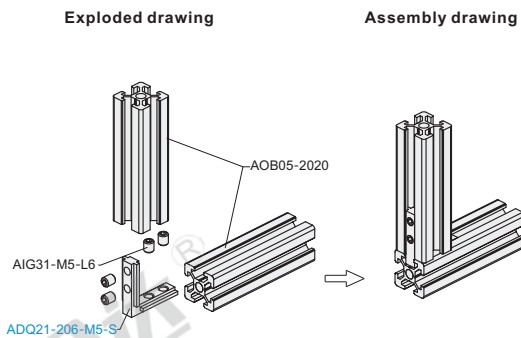
**EX**

Example

**Inside Installation**



**Outside Installation**



Code  
ADQ21-206-M5  
ADQ31-206-M5



Code ADQ21-206-M5-SET-OB  
ADQ21-206-M5-S-SET-OB

Add processing project	Code	Spec.
Equipped with suitable set screw	SET-OB	When specifying the SET, it is equipped with set screw for use with connectors. Set screw: AIG31-M5-L6